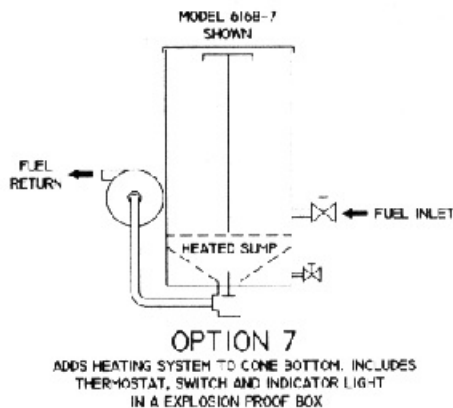
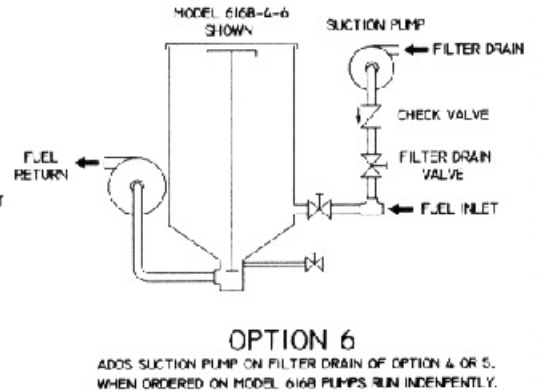
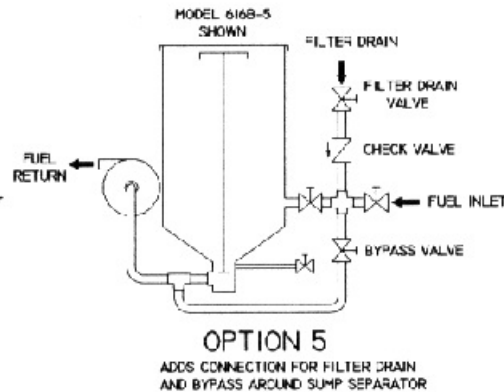
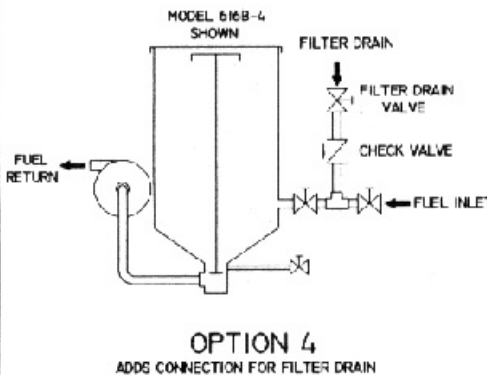
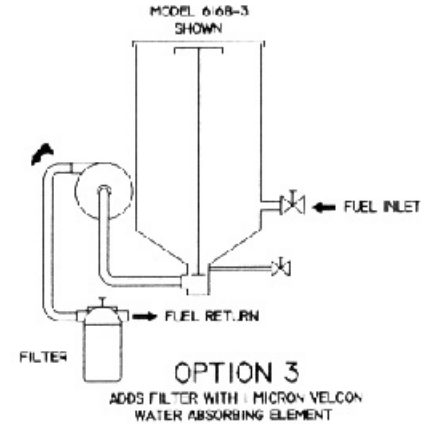
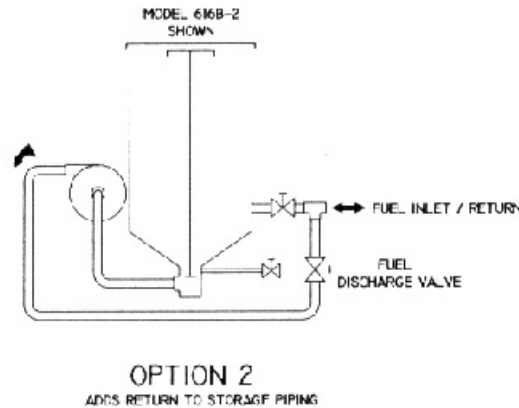
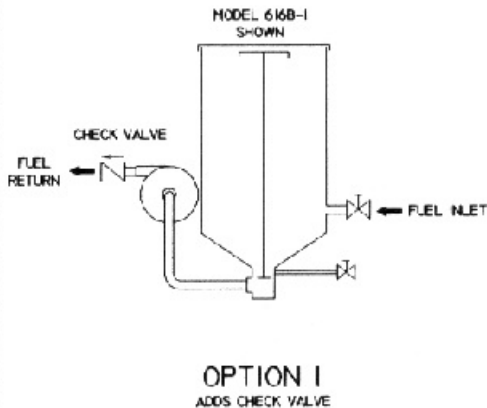
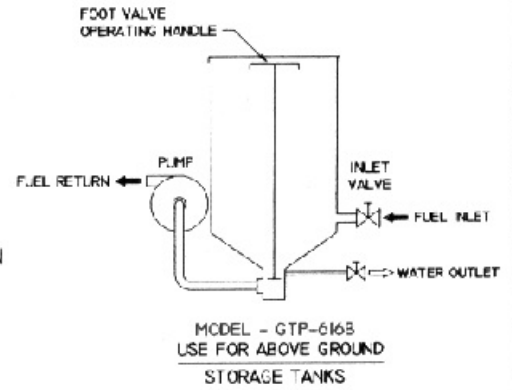
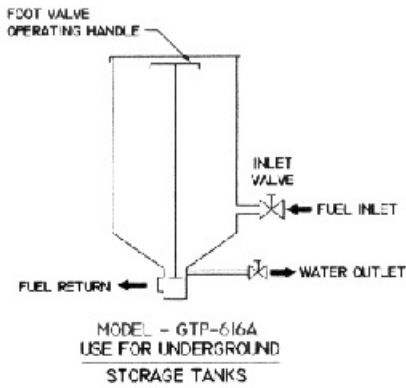


# FUEL RECOVERY SYSTEMS SUMP SEPARATORS

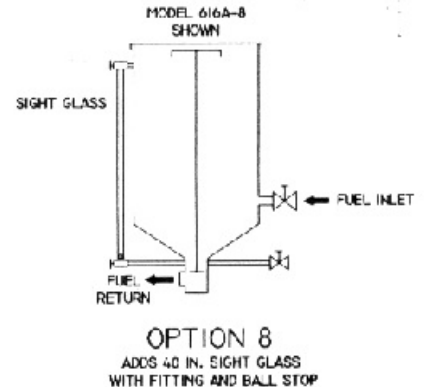
## ALL MODELS INCLUDE THE FOLLOWING :

- 1 IN. BALL VALVE AT INLET
- 1/2 IN. BALL VALVE AT WATER OUTLET
- COVER WITH SWING-AWAY DAVIT STYLE MOUNT
- TWO 3/4 IN. AUXILIARY FITTINGS FOR CONNECTION OF DISCHARGE PIPING FROM AIR ELIMINATORS, PRESSURE RELIEF VALVES AND DRAINS FROM FILTER SEPARATORS.
- TWO 1/2 IN. AUXILIARY FITTINGS FOR CONNECTION OF SIGHT GLASS.

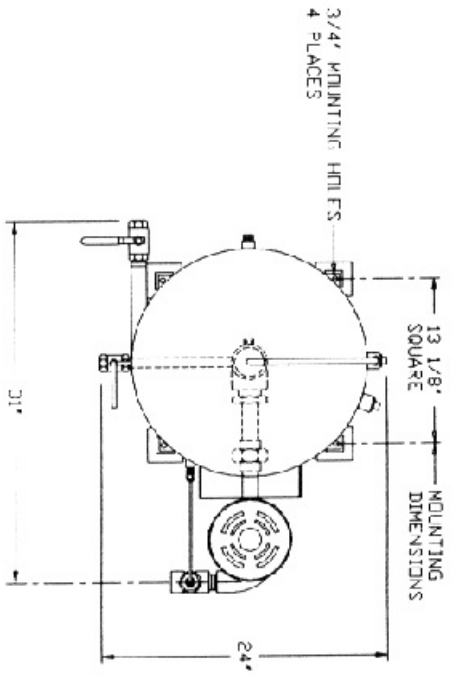


## ALL MODELS INCLUDE THE FOLLOWING : CONTINUED

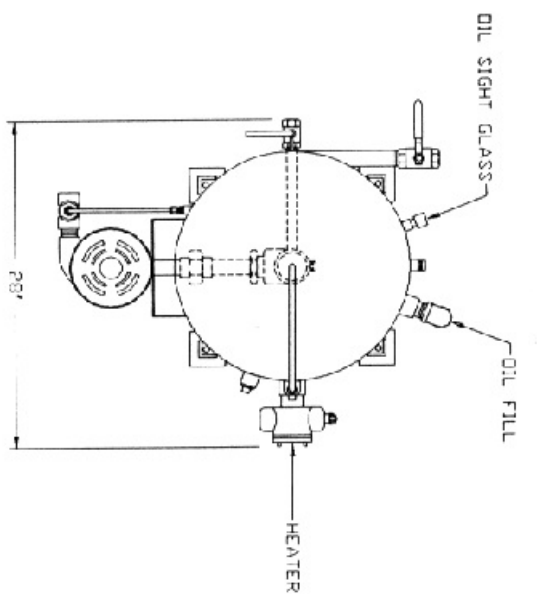
- FOOT VALVE, O-RING SEALED; RELEASES FUEL FOR RETURN TO STORAGE. ( 1 IN. N.P.T. PORT )
- PIPE AND FITTINGS: STEEL OR DUCTILE IRON. CAST IRON NOT USED. STAINLESS STEEL AVAILABLE UPON REQUEST.
- VALVES ARE BRASS BALL TYPE. STAINLESS STEEL AVAILABLE UPON REQUEST.



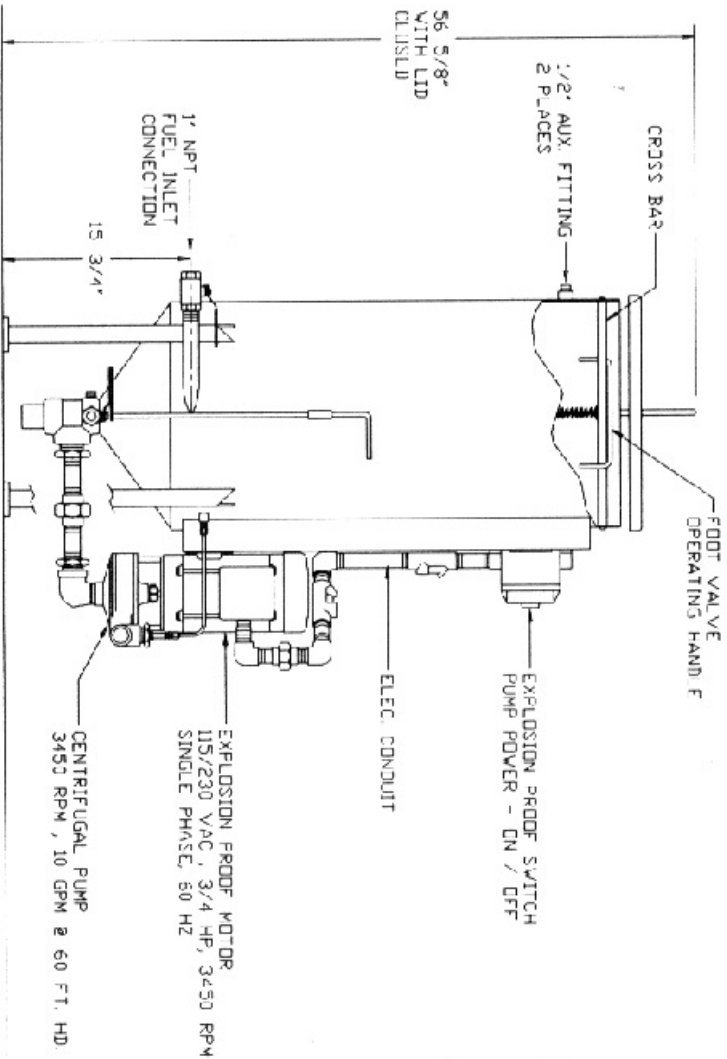
TOP VIEW



TOP VIEW



LEFT SIDE VIEW  
616B  
< NO OPTNS SHOWN >



FRONT VIEW  
616B-7  
< OPTION 7 SHOWN >  
< HEATED SUMP >

